



ISO9001



6D-6669



CE-0575



TS27 10585
-2010



ZHEJIANG DONGYA VALVE CO.,LTD.

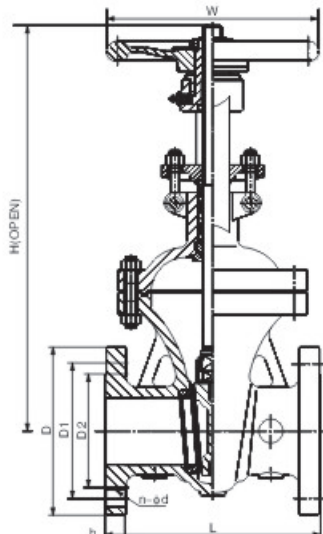
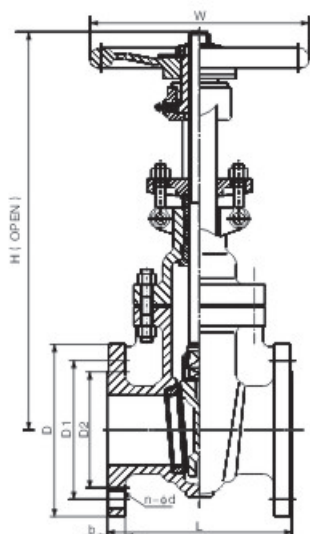
[Http://www.china-valve.com](http://www.china-valve.com)

Eaav

JIS



Cast Steel Gate Valve



● Parts and material list

Parts name	Material				
	WCB/Trim1	WCB/Trim5	WCB/Trim8	CF8/304	CF8M/316
Body	ASTMA216 WCB	ASTMA216 WCB	ASTMA216 WCB	ASTMA351 CF8	ASTMA351 CF8M
Seating	A105 +13Cr	A105 +STL	A105 +STL	ASTMA351 CF8	ASTMA351 CF8M
Gate	ASTMA216 WCB+13Cr	ASTMA216 WCB+STL	ASTMA216 WCB+13Cr	ASTMA351 CF8	ASTMA351 CF8M
Stem	ASTMA182 F6a	ASTMA182 F6a	ASTMA182 F6a	ASTMA182 F304	ASTMA182 F316
Bonnet bolt	ASTMA193 B7	ASTMA193 B7	ASTMA193 B7	ASTMA193 B8	ASTMA193 B8M
Bonnet nut	ASTMA1942H	ASTMA1942H	ASTMA1942H	ASTMA1948	ASTMA1948M
Gasket	Soft Iron + Graphite or 304 + Graphite			304 + Graphite	316 + Graphite
Bonnet	ASTMA216 WCB	ASTMA216 WCB	ASTMA216 WCB	ASTMA351 CF8	ASTMA351 CF8M
Backseat bushing	ASTMA182 F6a	ASTMA182 F6a	ASTMA182 F6a	ASTMA351 CF8	ASTMA351 CF8M
Packing	Graphite	Graphite	Graphite	Graphite	Graphite
Gland eye bolt	ASTMA193 B7	ASTMA193 B7	ASTMA193 B7	ASTMA193 B8	ASTMA193 B8M
Eye bolt nut	ASTMA1942H	ASTMA1942H	ASTMA1942H	ASTMA1948	ASTMA1948M
Eye bolt pin	ASTMAISI 1045	ASTMAISI 1045	ASTMAISI 1045	304ss	316ss
Gland	ASTMA182 F6a	ASTMA182 F6a	ASTMA182 F6a	ASTMA182 F304	ASTMA182 F316
Gland flange	ASTMA216 WCB	ASTMA216 WCB	ASTMA216 WCB	ASTMA351 CF8	ASTMA351 CF8M
Stem nut	Copper alloy	Copper alloy	Copper alloy	Copper alloy	Copper alloy
Nipple	Carbon steel	Carbon steel	Carbon steel	Carbon steel	Carbon steel
Yoke sleeve nut	Carbon steel	Carbon steel	Carbon steel	Carbon steel	Carbon steel
Hand wheel	Carbon steel	Carbon steel	Carbon steel	Carbon steel	Carbon steel
Hand wheel nut	Carbon steel	Carbon steel	Carbon steel	Carbon steel	Carbon steel

Note: The chart above only lists out some common composition of steel gate valve parts. We may provide other different parts material composition according to the customer's request or the actual valve working condition.

Cast Steel Gate Valve

● Features

Dongya JIS gate valve usually be reliably used in steam, air, coat gas, oil or oil gas etc high or low-pressure condition, Middle or low pressure valve normal valve normal adopt taper disc seating structure, but the large diameter and high pressure valve adopt sideway disc sealing structure, the medium flow from high to low position, it use medium self pressure seal, so the sealing is very reliable and the operated torque is more light. According to condition, the valve can be apply more kinds of material and connection type between bonnet and body and can be reach to more requirements of user.

● Construction as follows

1. Full Bore/Reduce bore
2. Outside screw stem and rising Yoke
3. Detachable seat and Back-seat
4. Two piece self aligning packing gland

● Std

Design And Manufacture	Face To Face	Flange Dimension	Pressure-Temperature rating	Inspection And Test
JIS B2071 B2081	JIS B2002	JIS B2212 B2214	JIS B2071 B2081	JIS B2003

● Capability criterion

Body material	SPCH2-11	SPCH2-32	SCS13A	SCS19A	SCS14A	SCS16A	SCPL1
Suitable Temperature	≤425℃	≤540℃	≤275℃	≤200℃	≤275℃	≤200℃	-45 ~ 150℃
Appropriate Medium	Water Steam Oil Goods		Nitric Acid		Acetic Acid		Liquid Ammonia

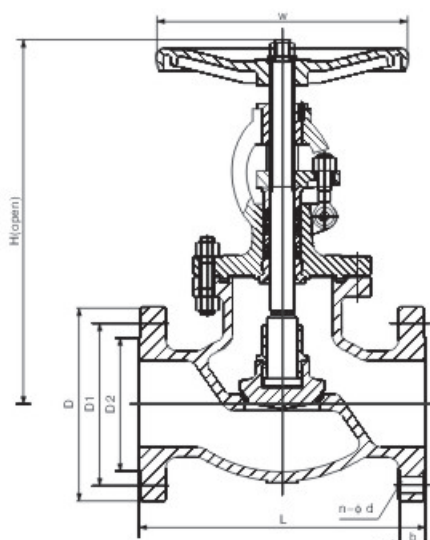
● Size main dimensions

DN		10K							
mm	in	L	D	D1	D2	b	n-φd	H	D0
15	1/2	108	95	70	52	12	4-φ15	179	100
20	3/4	117	100	75	58	14	4-φ15	198	100
25	1	127	125	90	70	14	4-φ19	255	130
40	1 1/2	165	140	105	85	16	4-φ19	323	160
50	2	178	155	120	100	16	4-φ19	409	160
65	2 1/2	190	175	140	120	18	4-φ19	535	250
80	3	203	185	150	130	18	8-φ19	570	250
100	4	229	210	175	155	18	8-φ19	590	250
125	5	250	210	185	185	22	8-φ23	605	280
150	6	267	280	240	215	22	8-φ23	630	300
200	8	292	330	290	265	22	12-φ23	960	350
250	10	330	400	355	325	24	12-φ25	1158	400
300	12	356	445	400	370	24	16-φ25	1378	450
350	14	381	490	445	415	26	16-φ25	1543	500
400	16	406	560	510	475	28	16-φ27	1738	600
450	18	432	620	565	530	30	20-φ27	1959	600
500	20	457	675	620	585	30	20-φ27	2214	680

Cast Steel Gate Valve

● Size main dimensions									
DN		20K							
mm	in	L	D	D1	D2	b	n-φd	H	D0
15	1/2	140	95	70	52	14	4-15	179	130
20	3/4	152	100	75	58	16	4-15	202	130
25	1	165	125	90	70	16	4-19	265	160
40	1 1/2	190	140	105	85	18	4-19	415	200
50	2	216	155	120	100	18	8-φ19	480	200
65	2 1/2	241	175	140	120	20	8-φ19	510	250
80	3	283	200	160	135	22	8-φ23	580	280
100	4	305	225	185	160	24	8-φ23	700	350
125	5	381	270	225	195	26	8-25	845	400
150	6	403	305	260	230	28	12-φ25	940	400
200	8	419	350	305	275	30	12-φ25	1190	450
250	10	457	430	380	345	34	12-φ27	1390	500
300	12	502	480	430	395	35	16-φ27	1600	500
350	14	762	540	480	440	40	16-φ33	1750	600
400	16	838	605	540	495	46	16-φ33	1900	600
450	18	914	675	605	560	48	20-φ33	2320	650
DN		40K							
mm	in	L	D	D1	D2	b	n-φd	H	D0
15	1/2	165	115	80	55	20	4-φ19	179	160
20	3/4	190	120	85	60	20	4-φ19	202	200
25	1	216	130	95	70	22	4-φ19	265	200
40	1 1/2	241	160	120	90	24	4-φ23	415	200
50	2	292	165	130	105	26	8-φ19	480	280
65	2 1/2	330	200	160	130	30	8-23	510	280
80	3	356	210	170	140	32	8-23	580	300
100	4	432	250	205	165	36	8-25	700	400
125	5	508	300	250	200	40	8-27	845	500
150	6	559	355	295	240	44	12-33	940	500
200	8	660	405	345	290	50	12-33	1190	500
250	10	787	475	410	355	56	12-33	1390	600
300	12	838	540	470	410	60	16-39	1600	650
350	14	889	585	515	455	64	16-39	1750	650
400	16	991	645	570	515	70	16-39	1900	700

Cast Steel Globe Valve



● Parts and material list

Parts name	Material				
	WCB/Trim1	WCB/Trim5	WCB/Trim8	CF8/304	CF8M/316
Body	ASTMA216 WCB+13Cr	ASTMA216 WCB+STL	ASTMA216 WCB+STL	ASTMA351 CF8	ASTMA351 CF8M
Disc	ASTMA216 WCB+13Cr	ASTMA216 WCB+STL	ASTMA216 WCB+13Cr	ASTMA351 CF8	ASTMA351 CF8M
Stem	ASTMA182 F6a	ASTMA182 F6a	ASTMA182 F6a	ASTMA182 F304	ASTMA182 F316
Disc nut	ASTMA216 WCB	ASTMA216 WCB	ASTMA216 WCB	ASTMA351 CF8	ASTMA351 CF8M
Bonnet nut	ASTMA194 2H	ASTMA194 2H	ASTMA194 2H	ASTMA194 8	ASTMA194 8M
Bonnet bolt	ASTMA193 E7	ASTMA193 E7	ASTMA193 E7	ASTMA193 B8	ASTMA193 B8M
Gasket	304 +Graphite	304 +Graphite	304 +Graphite	304 + Graphite	316 + Graphite
Backseat bushing	ASTMA182 F6a	ASTMA182 F6a	ASTMA182 F6a	ASTMA351 CF8	ASTMA351 CF8M
Bonnet	ASTMA216 WCB	ASTMA216 WCB	ASTMA216 WCB	ASTMA351 CF8	ASTMA351 CF8M
Packing	Graphite	Graphite	Graphite	Graphite	Graphite
Eyebolt pin	ASTMAISI 1045	ASTMAISI 1045	ASTMAISI 1045	304ss	316ss
Gland eyebolt	ASTMA193 E7	ASTMA193 E7	ASTMA193 E7	ASTMA193 B8	ASTMA193 B8M
Gland	ASTMA182 F6a	ASTMA182 F6a	ASTMA182 F6a	ASTMA182 F304	ASTMA182 F316
Gland flange	ASTMA216 WCB	ASTMA216 WCB	ASTMA216 WCB	ASTMA351 CF8	ASTMA351 CF8M
Eyebolt nut	ASTMA194 2H	ASTMA194 2H	ASTMA194 2H	ASTMA194 8	ASTMA194 8M
Stem nut	Copper alloy	Copper alloy	Copper alloy	Copper alloy	Copper alloy
Hand wheel	Carbon steel	Carbon steel	Carbon steel	Carbon steel	Carbon steel
Hand wheel nut	Carbon steel	Carbon steel	Carbon steel	Carbon steel	Carbon steel

Cast Steel Globe Valve

● Features

Dongya JIS globe valve usually be reliably used in steam, air, coat gas, oil or oil gas etc high or low-pressure condition, Middle or low pressure valve normal valve normal adopt taper disc seating structure, but the large diameter and high pressure valve adopt sideways disc seating structure, the medium flow from high to low position, it use medium self pressure seal, so the sealing is very reliable and the operated torque is more light. According to condition, the valve can be apply more kinds of material and connection type between bonnet and body and can be reach to more requirements of user.

● Construction as follows

- 1. Full Bore/Reduce bore
- 2. Outside screw and Yoke, rising stem
- 3. Integral seat and Detachable Back-seat
- 4. Bolted Bonnet/Pressure seal Bonnet
- 5. Tow piece self aligning packing gland

● Std

Design And Manufacture	Face To Face	Flange Dimension	Pressure-Temperature rating	Inspection And Test
JIS B2071 B2081	JIS B2002	JIS B2212 B2214	JIS B2071 B2081	JIS B2003

● Capability criterion

Body material	SPCH2-11	SPCH2-32	SCS13A	SCS19A	SCS14A	SCS16A	SCPL1
Suitable Temperature	≤425℃	≤540℃	≤275℃	≤200℃	≤275℃	≤200℃	-45~150℃
Appropriate Medium	Water Steam Oil Goods		Nitric Acid		Acetic Acid		Liquid Ammonia

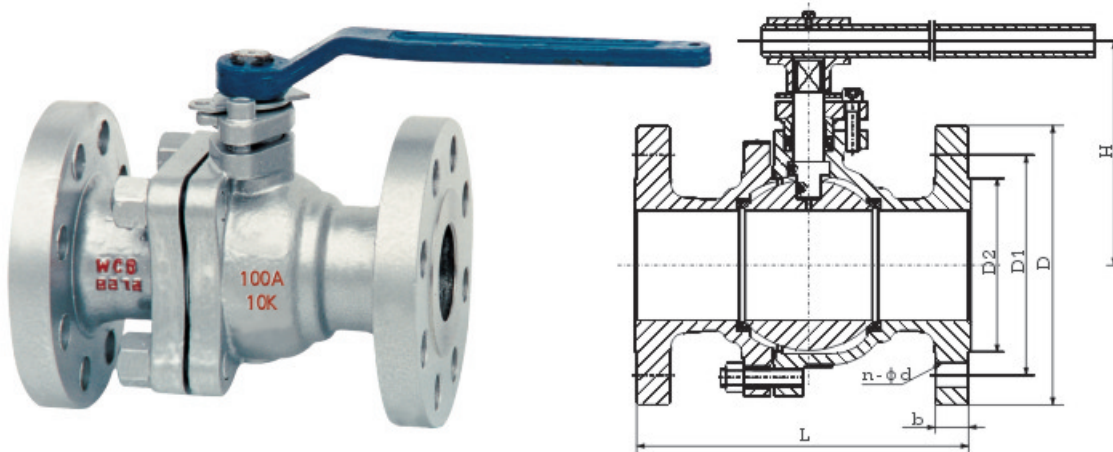
● Size main dimensions

DN		10K							
mm	in	L	D	D1	D2	b	n-φd	H	D0
15	1/2	108	95	70	52	12	4-φ15	241	100
20	3/4	117	100	75	58	14	4-φ15	241	100
25	1	127	125	90	70	14	4-φ19	242	130
40	1 1/2	1165	140	105	85	16	4-φ19	286	160
50	2	203	155	120	100	16	4-φ19	360	200
65	2 1/2	216	175	140	120	18	4-φ19	380	200
80	3	241	185	150	130	18	8-φ19	415	250
100	4	292	210	175	155	18	8-φ19	465	250
125	5	356	250	210	185	20	8-φ23	515	300
150	6	406	280	240	215	22	8-φ23	545	350
200	8	495	330	290	265	22	12-φ23	675	450
250	10	622	400	355	325	24	12-φ25	787	600
300	12	698	445	400	370	24	16-φ25	895	650

Cast Steel Globe Valve

● Size main dimensions									
DN		20 K							
mm	in	L	D	D1	D2	b	n-φd	H	D0
15	1/2	152	95	70	52	14	4-15	259	130
20	3/4	178	100	75	58	16	4-15	281	160
25	1	203	125	90	70	16	4-19	315	200
40	1 1/2	229	140	105	85	18	4-19	356	200
50	2	267	155	120	100	18	8-φ19	420	200
65	2 1/2	292	175	140	120	20	8-φ19	465	250
80	3	318	200	160	135	22	8-φ23	490	300
100	4	356	225	185	160	24	8-φ23	590	350
125	5	400	270	225	195	26	8-φ25	690	400
150	6	444	305	260	230	28	12-φ25	760	450
200	8	559	350	305	275	30	12-φ25		450
250	10	622	430	380	345	34	12-27	787	600
300	12	711	480	430	395	35	16-27	895	650
DN		40 K							
mm	in	L	D	D1	D2	b	n-φd	H	D0
15	1/2	165	115	80	55	20	4-19	259	160
20	3/4	190	120	85	60	20	4-19	281	160
25	1	216	130	95	70	22	4-19	315	200
40	1 1/2	241	160	120	90	24	4-23	356	230
50	2	292	165	130	105	26	8-19	420	280
65	2 1/2	330	200	160	130	30	8-23	465	280
80	3	356	210	170	140	32	8-23	490	300
100	4	432	250	205	165	36	8-25	590	400
125	5	508	300	250	200	40	8-27	690	400
150	6	559	355	295	240	44	12-33	760	500
200	8	660	405	345	290	50	12-33	920	500
250	10	787	475	410	355	56	12-33	1080	600
300	12	838	540	470	410	60	16-39	1270	650
350	14	889	585	515	455	64	16-39	1420	650
400	16	991	645	570	515	70	16-39	1600	700

Floating Ball Valve



● Parts and material list

Parts name	Material				
	WCB/13Cr	WCB/304	WCB/316	CF8	CF8M
Body	ASTMA216 WCB	ASTMA216 WCB	ASTMA216 WCB	ASTMA351 CF8	ASTMA351 CF8M
Body nut	ASTMA1942H	ASTMA1942H	ASTMA1942H	ASTMA1948	ASTMA1948M
Body bolting	ASTMA193 E7	ASTMA193 E7	ASTMA193 E7	ASTMA193 E8	ASTMA193 E8M
Gasket	PTFE	PTFE	PTFE	PTFE	PTFE
Cap	ASTMA216 WCB	ASTMA216 WCB	ASTMA216 WCB	ASTMA351 CF8	ASTMA351 CF8M
Ball	ASTMA182 F6a	ASTMA182 F304	ASTMA182 F316	ASTMA182 F304	ASTMA182 F316
Seat	Reinforced PTFE	Reinforced PTFE	Reinforced PTFE	Reinforced PTFE	Reinforced PTFE
Stem	ASTMA182 F6a	ASTMA182 F304	ASTMA182 F316	ASTMA182 F304	ASTMA182 F316
Packing	PTFE	PTFE	PTFE	PTFE	PTFE
Gland	ASTMA182 F6a	ASTMA182 F304	ASTMA182 F316	ASTMA182 F304	ASTMA182 F316
Gland flange	ASTMA216 WCB	ASTMA216 WCB	ASTMA216 WCB	ASTMA351 CF8	ASTMA351 CF8M
Gland bolt	ASTMA193 E7	ASTMA193 E7	ASTMA193 E7	ASTMA193 E8	ASTMA193 E8M
Stop collar	Carbon steel	Carbon steel	Carbon steel	Stainless steel	Stainless steel
Lever	Carbon steel	Carbon steel	Carbon steel	Carbon steel	Carbon steel

Note: The chart above only lists out some common composition of steel ball valve parts. We may provide other different parts material composition according to the customer's request or the actual valve working condition.

Floating Ball Valve

● Features

Dongya JIS ball valve is widely used in such fields as petroleum melting, chemical industry, papermaking, pharmaceutical industry, food industry, water power, electric power, city planning, steel, etc. Among them the sulphur-resistance serial ball valve is especially applicable for Natural Gas Long-Distance Transportation features containing sulphurate hydrogen medium, mang impurity and serious corroding.

● Construction as follows

- | | |
|---|---|
| 1. Bolted bonnet, Two-piece Body, Floating Ball | 1. Bolted cover, Two-piece or three-piece Body, fixed Ball |
| 2. Full or Reduced bore, Blowout Proof Stem | 2. Full or Reduced bore, Blowout Proof Stem |
| 3. Fire safe and Anti static | 3. Fire safe and Anti static |
| 4. Stainless steel ball | 4. Dual seat with injection and drain & outlet |
| 5. ASTM A216 WCB, A351 CF8, A351 CF8M, A351 CF3, A351 CF3M, A351 CN7M | 5. ASTM A216 WCB, A351 CF8, A351 CF8M, A351 CF3, A351 CF3M, A351 CN7M |

● Std

Design And Manufacture	Face To Face	Flange Dimension	Pressure-Temperature rating	Inspection And Test
JIS B2071 B2081	JIS B2002	JIS B2212 B2214	JIS B2071 B2081	JIS B2003

● Capability criterion

Body material	SPCH2-11	SPCH2-32	SCS13A	SCS19A	SCS14A	SCS16A	SCPL1
Suitable Temperature	≤425℃	≤540℃	≤275℃	≤200℃	≤275℃	≤200℃	-45 ~ 150℃
Appropriate Medium	Water Steam Oil Goods		Nitric Acid		Acetic Acid		Liquid Ammonia

● Size main dimensions

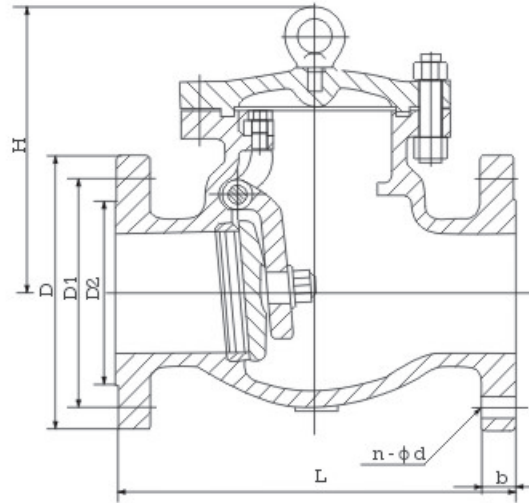
DN		10K							
mm	in	L	D	D1	D2	b	n-φd	H	D0
15	1/2	108	95	70	52	12	4-φ15	59	130
20	3/4	117	100	75	58	14	4-φ15	63	130
25	1	127	125	90	70	14	4-φ19	75	160
40	1 1/2	165	140	105	85	16	4-φ19	95	230
50	2	178	155	120	100	16	4-φ19	107	230
65	2 1/2	190	175	140	120	18	4-φ19	142	400
80	3	203	185	150	130	18	8-φ19	152	400
100	4	229	210	175	155	18	8-φ19	178	700
125	5	356	250	210	185	20	8-φ23	252	1100
150	6	394	280	240	215	22	8-φ23	272	1100
200	8	457	330	290	265	22	12-φ23	342	1500
250	10	533	400	355	325	24	12-φ25	345	1500

Note: The chart above only lists out some common composition of steel globe valve parts. We may provide other different parts material composition according to the customer's request or the actual valve working condition.

Floating Ball Valve

● Size main dimensions									
DN		20K							
mm	in	L	D	D1	D2	b	n-φd	H	D0
15	1/2	140	95	70	52	14	4-φ15	59	130
20	3/4	152	100	75	58	16	4-φ15	63	130
25	1	165	125	90	70	16	4-φ19	75	160
40	1 1/2	190	140	105	85	18	4-φ19	95	230
50	2	216	155	120	100	18	8-φ19	107	230
65	2 1/2	241	175	140	120	20	8-φ19	142	400
80	3	283	200	160	135	22	8-φ23	152	400
100	4	305	225	185	160	24	8-φ23	178	700
125	5	381	270	225	195	26	8-φ25	252	1100
150	6	403	305	260	230	28	12-φ25	272	1100
200	8	502	350	305	275	30	12-φ25	342	1500
250	10	568	430	380	345	34	12-φ27	345	1500
DN		40K							
mm	in	L	D	D1	D2	b	n-φd	H	D0
15	1/2	165	115	80	55	20	4-19	59	130
20	3/4	190	120	85	60	20	4-19	63	160
25	1	216	130	95	70	22	4-19	75	230
40	1 1/2	241	160	120	90	24	4-23	95	230
50	2	292	165	130	105	26	8-19	107	400
65	2 1/2	330	200	160	130	30	8-23	142	400
80	3	356	210	170	140	32	8-23	152	700
100	4	432	250	205	165	36	8-25	178	1100
125	5	508	300	250	200	40	8-27	252	1100
150	6	559	355	295	240	44	12-33	272	1100
200	8	660	405	345	290	50	12-33	342	1500
250	10	787	475	410	355	56	12-33	345	1500

Steel Check Valve



● Parts and material list

Parts name	Material				
	WCB/Trim1	WCB/Trim5	WCB/Trim8	CF8/304	CF8M/316
Body	ASTMA216 WCB	ASTMA216 WCB	ASTMA216 WCB	ASTMA351 CF8	ASTMA351 CF8M
Seating	A105 +13Cr	A105 +STL	A105 +STL	ASTMA351 CF8	ASTMA351 CF8M
Disc	ASTMA216 WCB+13 Cr	ASTMA216 WCB+STL	ASTMA216 WCB+13 Cr	ASTMA351 CF8	ASTMA351 CF8M
Arm	ASTMA216 WCB	ASTMA216 WCB	ASTMA216 WCB	ASTMA351 CF8	ASTMA351 CF8M
Nut	ASTMA1942H	ASTMA194 2H	ASTMA194 2H	ASTMA194 8	ASTMA1948M
Arm pin	ASTMA182 F6a	ASTMA182 F6a	ASTMA182 F6a	ASTMA182 F304	ASTMA182 F316
Yoke	ASTMA216 WCB	ASTMA216 WCB	ASTMA216 WCB	ASTMA351 CF8	ASTMA351 CF8M
Bonnet nut	ASTMA1942H	ASTMA194 2H	ASTMA194 2H	ASTMA194 8	ASTMA1948M
Bonnet bolt	ASTMA193 E7	ASTMA193 E7	ASTMA193 E7	ASTMA193 E8	ASTMA193 E8M
Bolt	ASTMA193 E7	ASTMA193 E7	ASTMA193 E7	ASTMA193 E8	ASTMA193 E8M
Gasket	304+Graphite	304 +Graphite	304+Graphite	304 + Graphite	316 + Graphite
Bonnet	ASTMA216 WCB	ASTMA216 WCB	ASTMA216 WCB	ASTMA351 CF8	ASTMA351 CF8M
Eye bolt	ASTMA181	ASTMA181	ASTMA181	ASTMA181	ASTMA18 1

Note: The chart above only lists out some common composition of steel check valve parts. We may provide other different parts material composition according to the customer's request or the actual valve working condition.

Steel Check Valve

● Features

Dongya JIS check valve usually be reliably used in steam , air, coal pas, oil or oil gas etc high or low -pressure condition, High or low-pressure valve normal adopt internal rocker to reduce medium external leakage. It can be equipped external lever and adjusting foundry weight and can be select connection type and trim material according to working condition if user need . Large check valve usually be equipped with vibration absorber

● Construction as follows

- 1. Full Bore/Reduce bore
- 2. Rising disc/swing desc
- 3. Detachable seat
- 4. Bolted cover/Pressure seal cover

● Std

Design And Manufacture	Face To Face	Flange Dimension	Pressure-Temperature rating	Inspection And Test
JIS B2071 B2081	JIS B2002	JIS B2212 B2214	JIS B2071 B2081	JIS B2003

● Capability criterion

Body material	SPCH2-11	SPCH2-32	SCS13A	SCS19A	SCS14A	SCS16A	SCPL1
Suitable Temperature	≤425℃	≤540℃	≤275℃	≤200℃	≤275℃	≤200℃	-45~150℃
Appropriate Medium	Water Steam Oil Goods		Nitric Acid		Acetic Acid		Liquid Ammonia

● Size main dimensions

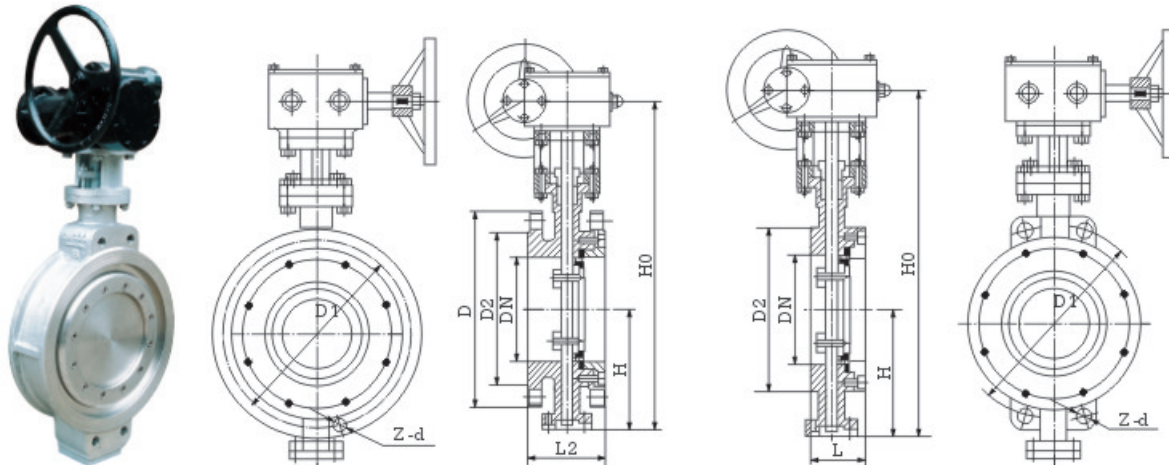
DN		10K							
mm	in	L	D	D1	D2	b	n-φd	H	D0
15	1/2	108	95	70	52	12	4-15	79	79
20	3/4	117	100	75	58	14	4-15	79	79
25	1	127	125	90	70	14	4-19	110	110
40	1 1/2	165	140	105	85	16	4-19	154	154
50	2	203	155	120	100	16	4-φ19	165	165
65	2 1/2	216	175	140	120	18	4-φ19	175	175
80	3	241	185	150	130	18	8-φ19	190	190
100	4	292	210	175	155	18	8-φ19	215	215
125	5	330	250	210	185	20	8-φ23	240	240
150	6	356	280	240	215	22	8-φ23	265	265
200	8	495	330	290	265	22	12-φ23	320	320
250	10	622	400	355	325	24	12-φ25	365	365
300	12	698	445	400	370	24	16-φ25	415	415
350	14	787	490	445	415	26	16-φ25	460	460
400	16	864	560	510	475	28	16-φ27	495	495
450	18	978	620	565	530	30	20-φ27	550	550
500	20	978	675	620	585	30	20-φ27	610	610
600	24	1295	795	730	690	32	24-φ33	660	660
700	28	1448	905	840	800	34	24-φ33	725	725
800	32	/	1020	950	905	36	28-φ33	780	780
850	34	/	1070	1000	955	36	28-φ33	835	835
900	36	1956	1120	1050	1005	38	28-φ33	890	890

Steel Check Valve

● Size main dimensions									
DN		20 K							
mm	in	L	D	D1	D2	b	n-φd	H	D0
15	1/2	152	95	70	52	14	4-φ15	79	79
20	3/4	178	100	75	58	16	4-φ15	110	110
25	1	216	125	90	70	16	4-φ19	154	154
40	1 1/2	241	140	105	85	18	4-φ19	165	165
50	2	267	155	120	100	18	8-φ19	190	190
65	2 1/2	292	175	140	120	20	8-φ19	205	205
80	3	318	200	160	135	22	8-φ23	220	220
100	4	356	225	185	160	24	8-φ23	245	245
125	5	400	270	225	195	26	8-φ25	268	368
150	6	444	305	260	230	28	12-φ25	295	295
200	8	533	350	305	275	30	12-φ25	330	330
250	10	622	430	380	345	34	12-φ27	420	420
300	12	711	480	430	395	35	16-φ27	480	480
350	14	838	540	480	440	40	16-φ33	535	535
400	16	864	605	540	495	46	16-φ33	585	585
450	18	978	675	605	560	48	20-φ33	615	615
500	20	1016	730	660	615	50	20-33	610	610
600	24	1346	845	770	720	54	24-39	660	660
700	28	1499	995	900	840	64	24-48	725	725
800	32	/	1140	1030	960	72	24-56	780	780
850	34	/	1200	1090	1020	74	24-56	835	835
900	36	2083	1250	1140	1070	76	28-56	890	890
DN		40 K							
mm	in	L	D	D1	D2	b	n-φd	H	D0
15	1/2	165	115	80	55	20	4-φ19	110	110
20	3/4	190	120	85	60	20	4-φ19	110	110
25	1	216	130	95	70	22	4-φ19	165	165
40	1 1/2	241	160	120	90	24	4-φ23	190	190
50	2	292	165	130	105	26	8-φ19	205	205
65	2 1/2	330	200	160	130	30	8-φ23	220	220
80	3	356	210	170	140	32	8-φ23	245	245
100	4	432	250	205	165	36	8-φ25	295	295
125	5	508	300	250	240	40	8-φ27	300	300
150	6	559	355	295	200	44	12-φ33	330	330
200	8	660	405	345	290	50	12-φ33	420	420
250	10	787	475	410	355	56	12-φ33	480	480
300	12	838	540	470	410	60	16-φ39	535	535
350	14	889	585	515	455	64	16-φ39	585	585
400	16	991	645	570	515	70	16-φ39	615	615

Butterfly Valve

JIS wafer type, flanged type three eccentric hard sealing butterfly valve



D343/373H-10/20K

● Purpose and characteristic

Main configuration characteristic of D373H-10K, 20K and D343H-10K, 20K series of butterfly valve is composed of wafer and flange three eccentric seal, seat gasket use two configurations of elastic seal and soft hard compatible multiple layers seal, reliable hermetic capability, so as to ensure disc can't touch sealing seat when it operation, solve the problem of sealing seat burden unequally, prolong service life, with advantage of high temperature resistant, wearable, antiseptis etc. It has been widely utilized in petroleum, chemical industry and industrial environmental protection water treatment, high building construction, water supplying and draining pipe etc.

● Adoption standard

Design standard	Flange connection dimension	Structure length	Pressure test
API609-1983	JIS B2212, JIS B2213, JIS B2214	JIS B2002-1987	JIS B2003-1987

● Main performance parameter

Nominal diameter NPS(inch)	Nominal pressure PN(MPa)	Test pressure		Suitable medium	Suitable temperature
		Strength test	Seal test		
2" ~ 48"	10K	1.5	1.1	Water, steam, oil seawater etc.	-29 ~ 550℃
2" ~ 48"	20K	3.0	2.2		

● Material for main parts

Name	Material
Body	WCB, 304, 316, 316SS, CF8M
Disc	WCB, 304, 316, 316SS, CF8M
Stem	304, 316, 2Cr13, 1Cr18Ni9Ti
Seal ring	304, 316, Fluorine plastic
Packing	Flexible graphite, Fluorine plastic
Drive mode	Handle, Worm wheel, Pneumatic drive, Electric drive ect.

Butterfly Valve

●D373/375H-10K、20K Series															Unit: mm	
Nominal diameter		Structure length (standard)		External dimension(consult)									Connection dimension (standard)			
				H	D373H			D673H			D973H			10K		20K
mm	inch	L	H1		A1	B1	H2	A2	B2	H3	A3	B3	D1	Z-d	D1	Z-d
50	2	43	112	350	180	200	625	245	72	530	250	255	120	4-19	120	8-19
65	2 1/2	46	115	370	180	200	625	245	72	530	250	255	140	4-19	140	8-19
80	3	49	120	380	180	200	645	245	72	565	250	255	150	8-19	160	8-23
100	4	56	138	420	180	200	675	355	92	600	250	255	175	8-19	185	8-23
125	5	64	164	460	180	200	715	355	92	640	250	255	210	8-23	225	8-25
150	6	70	175	555	270	280	800	355	92	705	300	315	240	8-23	260	12-25
200	8	71	208	605	270	280	850	250	170	775	300	315	290	12-23	305	12-25
250	10	76	243	680	270	280	925	250	170	945	300	315	355	12-25	380	12-27
300	12	83	283	800	380	420	1035	450	220	1070	300	315	400	16-25	430	16-27
350	14	92	310	835	380	420	1070	450	220	1140	300	315	445	16-25	480	16-33
400	16	102	340	915	450	470	1190	450	220	1210	300	315	510	16-27	540	16-33
450	18	114	380	960	480	490	1250	650	280	1335	575	714	565	20-27	605	20-33
500	20	127	410	1020	480	490	1290	650	280	1415	575	714	620	20-27	660	20-33
600	24	154	470	1225	480	490	1455	850	380	1605	656	810	730	24-33	770	24-39
700	28	165	550	1355	640	660	1585	850	380	1844	656	810	840	24-33	900	24-48
800	32	190	640	1470	640	660	1700	1250	380	2040	656	810	950	28-33	1030	24-56
900	36	203	710	1545	750	860	1965	1250	380	2255	785	863	1050	28-33	1140	28-56
1000	40	216	770	1795	850	900	2015	1250	380	2380	785	863	1160	28-39		
1200	48	254	890	1965	850	900	2250	1250	380	2640	785	863	1380	32-39		

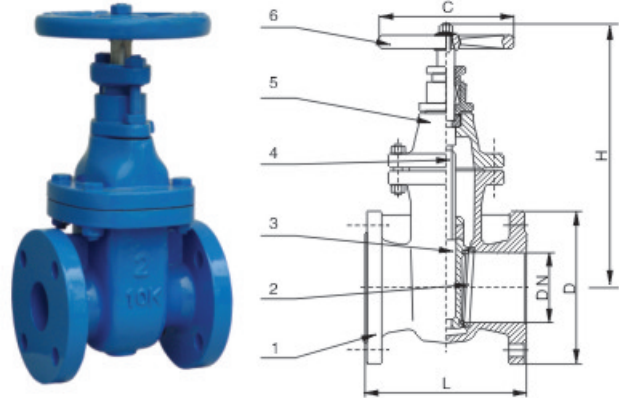
●D343/345H-10K、20K Series																	Unit: mm		
Nominal diameter		Structure length (standard)		External dimension(consult)									Connection dimension(standard)						
				H	D343H			D643H			D943H			10K			20K		
mm	inch	Brief	Long		H1	A1	B1	H2	A2	B2	H3	A3	B3	D	D1	Z-d	D	D1	Z-d
50	2	108	150	112	350	180	200	605	245	72	530	250	255	155	120	4-19	155	120	8-19
65	2 1/2	112	170	115	370	180	200	625	245	72	530	250	255	175	140	4-19	175	140	8-19
80	3	114	180	120	380	180	200	645	245	72	565	250	255	185	150	8-19	200	160	8-23
100	4	127	190	138	420	180	200	675	355	92	600	250	255	210	175	8-19	225	185	8-23
125	5	140	200	164	460	180	200	715	355	92	640	250	255	250	210	8-23	270	225	8-25
150	6	140	210	175	555	270	280	800	355	92	705	300	315	280	240	8-23	305	260	12-25
200	8	152	230	208	605	270	280	850	250	170	775	300	315	330	290	12-23	350	305	12-25
250	10	165	250	243	680	270	280	925	250	170	945	300	315	400	355	12-25	430	380	12-27
300	12	178	270	283	800	380	420	1035	450	220	1070	300	315	445	400	16-25	480	430	16-27
350	14	190	290	310	835	380	420	1070	450	220	1140	300	315	490	445	16-25	540	480	16-33
400	16	216	310	340	915	450	470	1190	450	220	1210	300	315	560	510	16-27	605	540	16-33
450	18	222	330	380	960	480	490	1250	650	280	1335	575	714	620	565	20-27	675	605	20-33
500	20	229	350	410	1020	480	490	1290	650	280	1415	575	714	675	620	20-27	730	660	20-33
600	24	267	390	470	1225	480	490	1455	850	380	1605	656	810	795	730	24-33	845	770	24-39
700	28	292	430	550	1355	640	660	1585	850	380	1844	656	810	905	840	24-33	995	900	24-48
800	32	318	470	640	1470	640	660	1700	1250	380	2040	656	810	1020	950	28-33	1140	1030	24-56
900	36	330	510	710	1545	850	900	1865	1250	380	2255	785	863	1120	1050	28-33	1250	1140	28-56
1000	40	410	550	770	1795	850	900	2015	1500	580	2380	785	863	1235	1160	28-39			
1200	48	470	630	890	1965	850	900	2226	1500	580	2640	785	863	1465	1380	32-39			

Attention: Above two sorts such as wafer, flange, driving mode such as manual, worm wheel, pneumatic, and electric, user should specify when ordered.

Gate Valve

Non-rising stem gate valves JIS-10K

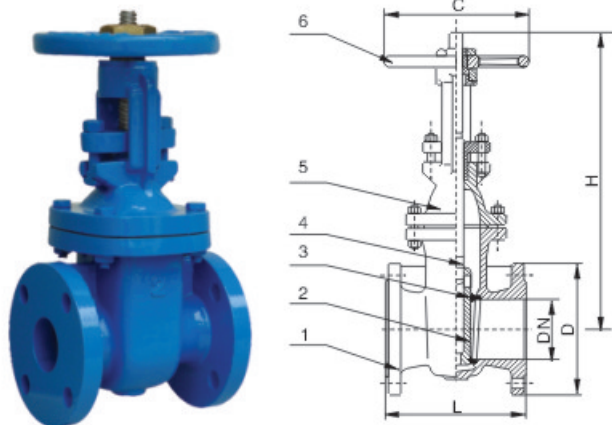
● Application		
1	Face to face is according to JIS-10K	
2	Flange drilled is according to JIS E2212	
● Test		
Working pressure	10K	
Shell pressure	21.1Kg/cm ²	
Seat pressure	15.0Kg/cm ²	
● Components		
1	Body	Cast iron or Ductile iron
2	Seat	Brass/Bronze
3	Disc	Cast iron or Ductile iron
4	Stem	Stainless steel
5	Bonnet	Cast iron or Ductile iron
6	Hand wheel	Cast iron or Ductile iron



● Dimensions										unit:mm
DN	50	65	80	100	125	150	200	250	300	
L	180	190	200	230	250	270	290	330	350	
H	252	270	290	365	420	465	575	686	782	
C	150	170	190	215	240	275	355	370	405	
D	155	175	185	210	250	280	330	400	445	

Rising stem gate valves JIS-10K

● Application		
1	Face to face is according to JIS-10K	
2	Flange drilled is according to JIS E2212	
● Test		
Working pressure	10K	
Shell pressure	21.1Kg/cm ²	
Seat pressure	15.0Kg/cm ²	
● Components		
1	Body	Cast iron or Ductile iron
2	Disc	Cast iron or Ductile iron
3	Seat	Brass/Bronze
4	Stem	Stainless steel
5	Bonnet	Cast iron or Ductile iron
6	Hand wheel	Cast iron or Ductile iron



● Dimensions										unit:mm
DN	50	65	80	100	125	150	200	250	300	
L	180	190	200	230	250	270	290	330	350	
H	252	270	290	365	420	465	575	686	782	
C	150	170	190	215	240	275	355	370	405	
D	155	175	185	210	250	280	330	400	445	

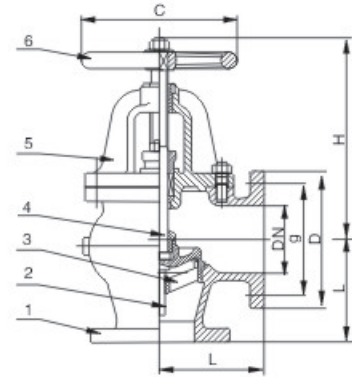
Globe Valve

Globe valves JIS F7306/F7354

● Application	
1	Face to face is according to JIS F7306
2	Flange drilled is according to JIS E2211
3	Nominal pressure 5K

● Test	
Working pressure	5bars
Shell pressure	7.8bars
Seat pressure	10.5bars

● Components		
1	Body	Cast iron
2	Disc	Bronze
3	Seat	Bronze
4	Stem	Brass
5	Bonnet	Cast iron
6	Hand wheel	Cast iron



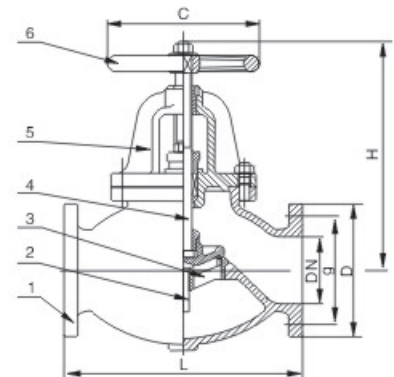
● Dimensions								unit:mm
DN	50	65	80	100	125	150	200	
L	100	115	130	150	170	190	220	
H	238	255	262	306	330	340	420	
D	130	155	180	200	235	265	320	
g	105	130	145	165	200	230	280	
C	160	180	180	224	250	280	315	

Globe valves JIS F7305/7353

● Application	
1	Face to face is according to JIS F7305
2	Flange drilled is according to JIS B 2211
3	Nominal pressure 5K

● Test	
Working pressure	5bars
Shell pressure	7.8bars
Seat pressure	10.5bars

● Components		
1	Body	Cast iron
2	Disc	Bronze
3	Seat	Bronze
4	Stem	Brass
5	Bonnet	Cast iron
6	Hand wheel	Cast iron



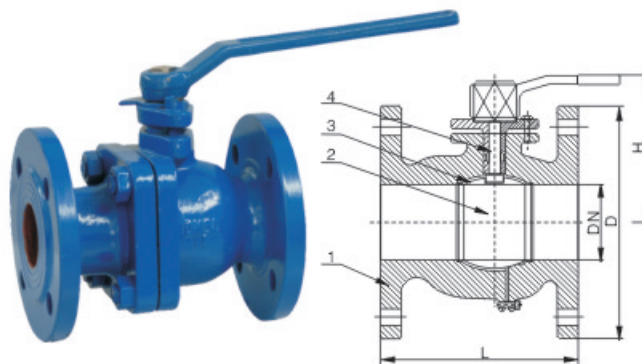
● Dimensions								unit:mm
DN	50	65	80	100	125	150	200	
L	210	250	280	340	410	480	570	
H	270	300	310	360	390	445	530	
D	130	155	180	200	235	265	320	
g	105	130	145	165	200	230	280	
C	160	180	180	224	250	280	315	

Ball Valve / Check valve

Ball valve JIS-10K

● Test	
Working pressure	10K
Shell pressure	20Kg/cm ²
Seat	6Kg/cm ²

● Components		
1	Body	Cast iron or Ductile iron
2	Ball	Stainless steel
3	Ball seat	Ptfe
4	Stem	Stainless steel



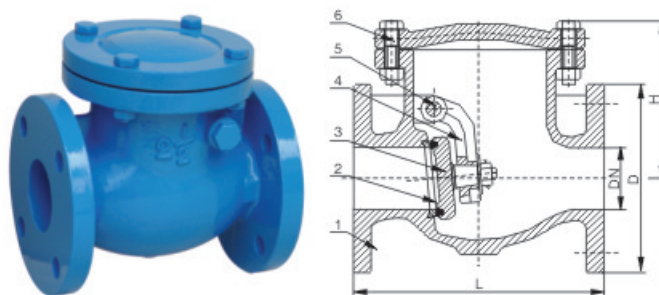
● Dimensions									unit:mm
DN	50	65	80	100	125	150	200	250	
L	178	190	203	229	356	394	457	533	
H	155	175	185	210	250	280	330	400	
D	120	153	162	191	211	290	340	460	

Check valve swing type JIS-10K

● Application	
1	Face to face is according to JIS-10K
2	Flange drilled is according to JIS B2212

● Test	
Working pressure	10K
Shell pressure	21Kg/cm ²
Seat pressure	15.4Kg/cm ²

● Components		
1	Body	Cast iron or Ductile iron
2	Seat	Brass/Bronze
3	Disc	Cast iron or Ductile iron
4	Hanger	Cast iron or Ductile iron
5	Ingo Pin	Stainless steel
6	Bonnet	Cast iron or Ductile iron



● Dimensions									unit:mm
DN	50	65	80	100	125	150	200	250	300
L	204	217	242	292	330	356	495	622	698
H	120	135	148	180	205	230	258	391	427
D	152	178	190	229	254	279	343	406	483